

ST. PBN PUBLIC SCHOOL, GURUGRAM
UNIT TEST - I
CLASS – XI
SUBJECT-ENGLISH
SAMPLE PAPER

GENERAL INSTRUCTIONS:

M.M-50

- 1. All questions are compulsory.**
- 2. Follow the instructions given with all questions.**

SECTION - A (READING)

Q1. Read the passage given below and answer the questions that follow:

10M

1. Man does not Live by food alone. Water is vital to human health and fitness. Although it is not a nutrient per se as are carbohydrates, fats, proteins, vitamins and minerals. It, in fact, is a key nutrient as no life is possible without it. Whereas we can do for weeks without food, we cannot live without water longer than a couple of days.

2. Water approximates 60 per cent of the body weight of human adults. The total amount of water in a man weighing 70 kilograms is approximately a little over 40 litres. It is an excellent solvent - more substances are soluble in water than in any other liquid known so far. This makes it an ideal constituent of the body fluids which sustain life supporting chemical reactions. It dissolves varied products of digestion and transports them to the rest of the body. Likewise, it dissolves diverse metabolic wastes and helps drain them out of the body. Besides, it performs a variety of functions - some well known and well understood while others not so well appreciated yet vita l. The no less important role of water is to distribute/ dissipate the body heat efficiently, thereby regulating body's temperature. Water accomplishes this role ideally because it has high thermal conductivity ensuring rapid heat transfer from one part to the other.

3. Above all, water has a high specific heat, implying that it takes a lot of heat to raise the temperature of water and likewise much heat must be lost to lower its temperature.

4. Drinking a lot of water is an inexpensive way to stay healthy. Even excess of water is harmless. Water therapy - drinking a litre or so the first thing in the morning is kidney-friendly.

5. The water regulation in the body is affected by hypothalamus in two ways i.e., (i) by creating the sensation of thirst which makes us drink water and (ii) by controlling the excretion of water as urine. If water regulation fails, medical emergency ensues.

Based on your understanding of the passage, answer the questions given below.

i. Water is vital to human health and fitness because:

- (a) man does not live by food alone
- (b) it is an excellent solvent

(c) we cannot survive for more than a couple of days without it

d) it controls thirst and excretion of water as urine

ii. Water is called a key nutrient because:

(a) it dissolves different products of digestion

(b) no life is possible without it

(c) it carries products to the rest of the body

(d) it raises temperature of the body

iii. Infer one reason for the following, based on information in paragraph 2:

Water is an ideal constituent of the body fluids.

iv. Water regulates body temperature efficiently as:

(a) it circulates easily

(b) it has high-specific heat

(c) it dissolves food easily

(d) it has high thermal conductivity

v. What does the author mean when he uses the word 'regulation' in the last para?

(a) Official rule

(b) Control

(c) Device for fair use

(d) Worn or used as per rules

vi. State whether the following statement is TRUE or FALSE:

Water transports nutrients to the body.

vii. Which activity is considered as water therapy?

viii. Complete the following analogy correctly with a word from paragraph 3:

pitch : throw :: warm : _____

(Clue : Just like to pitch is a synonym of to throw, similarly to warm is a synonym of to...)

ix. Substitute the word 'sustain' with ONE WORD similar in meaning, in the following sentence from

paragraph 2:

This makes it an ideal constituent of the body fluids which sustain life supporting..

x. Fill in the blank by choosing the correct option.

_____ is an inexpensive way to stay healthy.

- (a) Water
- (b) Minerals
- (c) Vitamins
- (d) Proteins

SECTION B (WRITING & GRAMMAR)

Q2. Design a poster on the topic Save Environment in about 50 words.

7M

Q3. You are Mukul/Mahi of ST. PBN Public School, write a speech to be delivered in school assembly highlighting the importance of cleanliness suggesting that the state of cleanliness reflects the character of its citizens. (125-150 words)

7M

Q4. Choose the correct form of the tenses from the following.

4M

1. I _____ Rahim at the zoo yesterday. (saw, have seen, had seen)
2. I _____ Kumar this week. (haven't seen, didn't see, am not seeing)
3. This paper _____ twice weekly. (is appearing, appearing, appears)
4. Ashok fell off the ladder when he _____ the roof.
(is mending, was mending, mended)

Q5. Read the extract and answer the questions briefly.

(1x5=5M)

Now she's been dead nearly as many years

As that girl lived. And of this circumstance

There is nothing to say at all.

Its silence silences.

- i) What is poet's reaction in the end?
- a) She wants to write more and more about her mother
 - b) She doesn't want to speak more as she is sad
 - c) She wants to draw the picture of her mother
 - d) All of these
- ii) Which poetic device has been used in 'Its silence silences'?
- a) Personification
 - b) Simile
 - c) Alliteration
 - d) Oxymoron
- iii) What is the mental state of the poetess in the end of the poem?
- a) She is upset
 - b) She is overjoyed
 - c) She is ecstatic
 - d) All of these
- iv) Name the poem and the poet of the poem.
- v) Who is **that girl** in the second line?

Q6. Read the extract and answer the questions briefly.

(1x5=5M)

She hobbled about the house in spotless white with one hand resting on her waist to balance her stoop and the other telling the beads of her rosary. Her silver locks were scattered untidily over her pale, puckered face, and her lips constantly moved in inaudible prayer. Yes, she was beautiful. She was like the winter landscape in the mountains, an expanse of pure white serenity breathing peace and contentment.

- i) What does the narrator mean by 'Silver locks'?
- a) Lock and Key
 - b) Grey Hair
 - c) Attire of Silver colour
 - d) None of these
- ii) Which figure of speech has been used in 'Pale puckered face'?
- a) Simile
 - b) Metaphor

c) Alliteration

d) Personification

iii) What does the word 'Hobble' mean?

a) Walk quickly

b) Limp

c) Rush

d) Hasten

iv) Who is she in the above extract?

v) Name the chapter and the author of the above extract.

Q7. Answer the following questions in about 30-40 words.

(2X6=12M)

- 1. Why was the grandmother so disturbed when the narrator started going to the city School?**
- 2. Describe the mental condition of the voyagers on 4th and 5th January?**
- 3. Why does the poet get surprised when he gets an answer from the rain?(The Voice of the Rain)**
- 4. To which tribe did Mourad and Aram belong? Which traits of the tribe are highlighted in the story 'The Summer of the Beautiful White Horse'?**
- 5. Why was Aram delighted and frightened at the same time when he saw his cousin Mourad on a beautiful white horse?**
- 6. The sea 'appears to have changed less' in comparison to the three girls who enjoyed the sea holiday. Comment.**

ST. PBN PUBLIC SCHOOL, GURUGRAM
UNIT TEST - I
CLASS – XI
SUBJECT-ACCOUNTANCY
SAMPLE PAPER

Time: 2Hrs

MM: 50

GENERAL INSTRUCTIONS:

- Answer all questions. Internal choice is given in some questions.
- All parts of the questions should be attempted at one place.
- Each question carries marks indicated against it.

1. State whether the statement is True or False: (1)

Accounting is not accepted as evidence in legal matters.

2. Journal records the transactions of a firm in a

- (a) Periodical manner (b) Chronological order
(c) Summarised manner (d) Systematic order (1)

3. If accounting information is based on facts and it is verifiable by documents it has the quality of _____ (1)

4. List two drawbacks of accounting standards.

OR (1)

Accrual Basis of Accounting recognises

- (a) Outstanding and Prepaid Expenses.
(b) Accrued Incomes and Incomes received in advance.
(c) Both (a) and (b).
(d) None of the above.

5. What is the rule of recording transactions in Nominal Accounts? (1)

6. **Assertion (A):** Main elements of accounting equations are Assets, Liabilities and Capital.

Reasoning (R): Assets= Liabilities + Capital. (1)

- (a) Both A and R are true and R is the correct explanation of A
- (b) Both A and R are true, but R is not the correct explanation of A.
- (c) A is true, but R is false.
- (d) A is false, but R is true.

7. Give the full form of CGST. (1)

8. State whether the statement is True or False: (1)

Book keeping starts where accounting ends.

9. **Match the following :-** (1)

Column A

Column B

- | | |
|-------------------------|---------------|
| i. Current Assets | (a) Machinery |
| ii. Current Liabilities | (b) Debtors |
| iii. Fixed Assets | (c) Loan |
| iv. Fixed Liabilities | (d) Creditors |

10. Goodwill account is a (1)

- | | |
|----------------------|-------------------|
| (a) Personal Account | (b) Real Account |
| (c) Nominal Account | (d) None of these |

11. Purchase of furniture on credit means

- (a) Decrease in asset and increase in liability.
- (b) Increase in asset and increase in liability.
- (c) Increase in asset and decrease in liability.
- (d) Decrease in asset and decrease in liability. (1)

12. For goods returned by customer _____ A/c is debited.

OR

(1)

Which of the following is not a fixed asset?

- a) Building
- b) Plant and Machinery
- c) Balance with bank
- d) Goodwill

13. Distinguish between Book-Keeping and Accounting by giving proper basis of difference. (3)

14. Explain the following terms:

- a) Non-Current Assets
 - b) Drawings
 - c) Bad Debts
- (3)

15. Yogesh started a business on 1st April, 2019 with a capital of ₹ 5,00,000 and a loan of ₹ 1,00,000 borrowed from Citi Bank. During 2019-20 he had introduced additional capital of ₹ 40,000 and had withdrawn ₹ 10,000 for personal use. On 31st March, 2020 his assets were ₹ 8,00,000. Find out his capital as on 31st March, 2020 and profit made or loss incurred during the year 2019-20.

OR

(3)

Calculate the missing figures in the following cases:

Case	Opening Capital	Additional Capital	Drawings	Profit and Loss	Closing Capital
i)	60,000	20,000	5,000	17,000	?
ii)	60,000	?	18,000	(5,000)	67,000
iii)	70,000	30,000	10,000	?	1,15,000

16. "Cash Basis of Accounting is not a better basis for depicting the correct financial position of an enterprise." Do you agree? Give reasons in support of your answer. (3)

17. State to which class of accounts does each of the following relate:

- a) Leasehold Property
- b) Bad Debts
- c) Drawings
- d) Rent Received
- e) Copyrights

f) Bank Account

g) Patents

h) Salary Received in Advance (4)

18. Journalize the following transactions in the books of Sh. Jagdish Mishra of Lucknow (U.P) assuming CGST @ 6% and SGST @ 6%:

2019

- March 5 Purchased goods for ₹ 2,50,000 from Virender Yadav of Patna (Bihar).
March 12 Sold goods costing ₹ 60,000 at 50% profit to Partap Sinha of Ranchi (Jharkhand).
March 14 Purchased goods for ₹ 70,000 from Ram Nath of Kanpur (U.P.) against cheque.
March 18 Sold goods at Varanasi (U.P.) costing ₹ 2,25,000 at $33\frac{1}{3}\%$ profit less trade discount 10% against cheque which was deposited into bank.

OR (4)

Mr. Radhey submits you the following particulars for the year ending 31st March, 2023:

	₹
Cash Purchases	10,00,000
Cash Sales	22,00,000
Credit Purchases	7,50,000
Credit Sales	6,00,000
Income Received	2,00,000
Income Received in advance (included in ₹ 2,00,000)	10,000
Income due but not yet received	28,000
Expenses paid (including ₹ 15,000 paid in advance)	4,00,000
Expenses due but not yet paid	75,000

Ascertain the profit or loss if he adopts accrual basis of accounting.

19. Show the accounting equation on the basis of the following transactions:

- Raghu started business with Cash ₹ 1,50,000.
- Purchased goods for Cash ₹ 80,000 and on Credit ₹ 40,000
- Goods costing ₹ 75,000 sold at a profit of $33\frac{1}{3}\%$. Half the payment received in cash.
- Goods costing ₹ 10,000 sold for ₹ 12,000 on credit.

- (v) Paid Rent ₹ 2,000 and Salary ₹ 4,000.
 (vi) Goods costing ₹ 20,000 sold for ₹ 18,500 for cash. (6)

20. Explain briefly the cycle of accounting. (6)

21. Journalise the following transactions: -

- i. Provide interest on capital ₹ 5,00,000 @ 12% for 9 months.
 ii. Supplied goods costing ₹ 50,000 to Sapna, issued invoice at 10% above cost less 5% trade discount.
 iii. Sold goods costing ₹15,000 for ₹ 20,000. Payment is received by cheque which is immediately deposited into bank.
 iv. Bought goods from Radhika for ₹ 2,00,000 at a trade discount of 15% and cash discount of 2%. Paid 80% amount immediately.
 v. Anil who owed us ₹ 50,000 becomes insolvent and a final dividend of 60 paise in a rupee is received from his estate.
 vi. Out of the rent paid this year, ₹10,000 relates to the next year.

OR (6)

Fill in the missing information in the following journal entries:

JOURNAL

S.No.	Particulars	L. F.	Amount Dr. (₹)	Amount Cr. (₹)
a)	Dr.		-----	
	To			-----
	(Goods costing ₹ 10,000 sale price ₹ 12,000 withdrawn for personal use)			
b)	Dr.		-----	
	Dr.		-----	1,00,000
	To Vikas			
c)	(Cheque received from Vikas and discount allowed at 5%)		-----	
	Dr.			2,500
d)				

	<p>To</p> <p>(Interest payable on Mrs. Kusum's Loan of ₹ 2,00,000 @ 15% p.a for one month)</p>	<p>60,000</p> <p>-----</p>	<p>-----</p>
e)	<p>Dr.</p>		
	<p>Dr.</p>		<p>-----</p>
	<p>To</p>		<p>-----</p>
	<p>(Cash received for sales from travelling salesman after deducting his travelling expenses ₹ 3,000)</p>	<p>-----</p>	
f)			
	<p>Dr.</p>		
	<p>To Bank A/c</p>		<p>1,000</p>
	<p>To</p>		
	<p>(Goods worth ₹ 80,000 bought at 20% trade discount and 5% cash discount)</p>	<p>1,000</p>	
	<p>Dr.</p>		
	<p>To</p>		
	<p>(Amount paid for repairs of furniture)</p>		

ST. PBN PUBLIC SCHOOL, GURUGRAM
UNIT TEST - I
CLASS – XI
SUBJECT-BUSINESS STUDIES
SAMPLE PAPER

NAME: _____

DATE: _____

Time: 2 hours

M.M. : 50

General Instructions:

1. This Question Paper contains **19** Questions.
2. This Question Paper contains 10 Questions of 1 Mark each.
3. This Question Paper contains Short Answer Type I Questions carrying **3 Marks** each to be answered in 60 to 80 words.
4. This Question Paper contains Short Answer Type II Questions carrying **4 Marks** each to be answered in 80 to 100 words.
5. This Question Paper contains Long Answer Type Questions carrying **6 Marks** each to be answered in 100 to 150 words.
6. Attempt all parts of the Questions together.
7. There is no overall choice. However, an internal choice is provided in few Questions.

Q1. ABC Ltd. is planting a tree on roadside . Which objective is it achieving ? 1

Q2. What is meant by Partner by Estoppel? 1

Q3. Name the type of Company which must have minimum paid up capital of 5 lakhs. 1

Q4. Liability of Partners in a partnership business is unlimited . Which of the Partnership Is referred to here ? 1

- a) Partnership at will
- b) Particular Partnership
- c) General Partnership
- d) Limited Liability Partnership

Q5. Which of the following statement is not correct ? 1

- a) A Company can refer to Table A if it does not prepare its Articles of Association
- b) A Private Ltd Company can have a maximum of 200 members
- c) A minor partner can inspect books of the firm.
- d) One person Company is a Company which has one person as its member

Q6. Assertion (A) : The Public Sector enterprises invest in certain spheres. 1

Reason (R) : Pharmaceuticals is not the core sector of investment.

- a) Both Assertion (A) and Reason (R) are true

- b) Both Assertion (A) and Reason (R) are false
- c) Assertion (A) is true but Reason (R) is false
- d)Assertion (A) is false and Reason (R) is true

Q7. _____ operates through a network of subsidiaries , branches and affiliates ? 1

- a)MOFA
- b)MNC
- c)Public Sector Enterprises
- d)Private Sector Enterprises

Q8. In 2001 resolution , number of industries exclusively for public sector is : 1

- a)Atomic Energy
- b)Arms
- c)Communication
- d)Railways

Q9. Which of the following enterprises benefit from an established brand name at the time of incorporation? 1

- a)Departmental Undertaking
- b)Government Company
- c)Statutory Company
- d)Joint Venture

Q10.A partner whose association with the firm is unknown to the general public is called _____ . 1

Q11.Explain three features of a Joint Stock Company. 3

OR

Explain the types of Partners

Q12. With Exponential growth seen in domestic transportation additional metro rail infrastructure, government has decided to offer more metro networks to private parties for operations and management. In Delhi, as 30 metro stations needed to be revived and upgraded in coming years to support the double digit growth in the sector.

This would require huge private investment as public funds are limited for infrastructure development. In February 2017, Central government announced that metro rail infrastructure will be built by state owned enterprises (Local and International) in Delhi, Mumbai, Bangalore and Hyderabad to private developers. Identify the type of enterprise discussed in above Para. Also State its two features. 3

Q13. Define Partnership Deed . Explain the contents of Partnership Deed. 4

Q14. Life insurance corporation of India is the largest insurance company in India. 4

It is headquartered in Mumbai. It was founded in the year 1956, where the parliament of India passed the life insurance of India act that nationalized the private insurance industry in India. Over 245 insurance companies and provident societies were merged to create the state owned life insurance corporation.

(a) Life insurance corporation is classified as which form of public sector enterprise.

(b) State any two features that highlights Life Insurance corporation of India in a particular form of public sector enterprise as identified in part (a).

Q15. Define business risk . Explain different types of business risk 4

Q16. Explain the role of MNC Companies highlighting its importance . 4

OR

Explain the features of all types of Public Enterprises.

Q17. A, B, C and D are partners in a firm with unlimited liability. But after 1991, B and C decided that they didn't want to bear unlimited risk. With the consent of all the partners, they made amendments in partnership deed and changed their liability clause, in which now the members are responsible for the losses only to the extent of the capital invested by them. 6

(a) Identify the types of partnership formed before and after 1991

(b) State any two differences between the types of partnership identified in part (a)

(c) Also explain any three advantages of partnership form of business organization.

Q18. Distinguish between : 6

i) Private Company and Public Company

ii) MOA and AOA

Q19. Umesh established 'Niger' in 2021 in USA. The powers, rules and regulations of 'Niger' was

decided as per USA norms. Niger established its trade projects in different parts of the world to increase

its market territory which leads to greater revenue and higher efficiency.

(a) How will 'Niger' be categorised as a private sector enterprise?

(b) State any five features of this private sector enterprise.

OR

BHEL was founded in the year 1964 by the Government of India. It is the largest power

plant equipment manufacturer in the country with 74% market share in the Power Sector. It has network of 17 manufacturing units, 2 repair units, 4 regional offices, 8 service centres and infrastructure allowing it to execute more than 150 projects at sites across India and abroad. It has been granted the prestigious Maharatna status in 2013 by the Government of India. Maharatna Status allows the Board of this company enhanced financial and operational autonomy. In content of the above case:

- (a) How will BHEL be classified as a form of Public Sector Enterprise?
- (b) State any four features of the form of Public Sector Enterprises as identified in part (a).
- (c) State briefly 'Operational autonomy' as a merit of the type of Public Sector Enterprises as identified in part (a). (6)

ST PBN PUBLIC SCHOOL, GURUGRAM
UT - I (2024-25)
ECONOMICS(030)
Class – XI
SAMPLE PAPER

NAME: _____

DATE: _____

Time: 2 hours

M.M. : 50

General Instructions:

1. This Question Paper contains **19** Questions.
2. This Question Paper contains 10 Questions of 1 Mark each.
3. This Question Paper contains Short Answer Type I Questions carrying **3 Marks** each
to be answered in 60 to 80 words.
4. This Question Paper contains Short Answer Type II Questions carrying **4 Marks** each
to be answered in 80 to 100 words.
5. This Question Paper contains Long Answer Type Questions carrying **6 Marks** each
to be answered in 100 to 150 words.
6. Attempt all parts of the Questions together.
7. There is no overall choice. However, an internal choice is provided in few Questions.

SECTION A – MICRO ECONOMICS

- Q1. Give any two examples of Complementary goods. 1
- Q2. A Statement that does not offer any suggestion is called 1
a) Normative Statement
b) Positive Statement
c) Positive and Normative Statement
d) None of the above
- Q3. When Total Utility (TU) is maximum, Marginal utility of a good (MU) 1
a) increases
b) falls
c) equal to zero
d) negative
- Q4. Assertion (A) : A person tends to buy more or less of a commodity. 1

Reason (R) : Individual person's likes and dislikes tend to change with time.

a) Both Assertion (A) and Reason (R) are true and Reason (R) is correct explanation of

Assertion (A)

b) Both Assertion (A) and Reason (R) are true but Reason (R) is not correct explanation

of Assertion (A)

c) Assertion (A) is true but Reason (R) is false

d) Assertion (A) is false and Reason (R) is true

Q5. Upward Movement along a demand curve is called _____
in demand. 1

Q6. How is Movement and shift in demand different? Explain with relevant diagrams. 3

Q7. Differentiate between : 4

i) Micro Economics and Macro Economics

ii) Positive Statements and Negative Statements

Q8. a) When price of a good is ₹13 per unit, the consumer buys 11 units of that good. 4

When price rises to ₹15 per unit, the consumer continues to buy 11 units.

Calculate Price Elasticity of Demand.

b) Price Elasticity of demand of Good X is (-2) and of good Y is (-3). Which of the

two goods is more price elastic and why?

Q9. Explain the Law of Demand with a demand schedule and a demand curve. Explain the factors affecting demand. 6

OR

Explain the degrees of elasticity of demand.

SECTION B – STATISTICS

Q10. In cloth business, profit earned in three years is ₹1,000, ₹2,000 and ₹3,000 and in 1

the paper business profit earned is ₹3,000, ₹2,000 and ₹1,000. Both business earn the

same average profit ₹2,000 and both have the same economic status.

Cloth business

is making profit and paper business is declining.

Which limitation of business is highlighted above ?

- a) Statistics of numerical facts only
- b) Prone to misuse
- c) Study of Aggregates only
- d) Without reference result may prove wrong

Q11. Calculate the Airthmetic Mean of marks of 6 students as 50,54,56,58,59 and 60. 1

Q12. Assertion (A) : Statistical techniques are used to analyse economic problems of countries like poverty , price control etc. 1

Reason (R) : The policy of family planning can be made effective in controlling

the population of the country.

- a) Both Assertion (A) and Reason (R) are true and Reason (R) is correct explanation of Assertion (A)
- b) Both Assertion (A) and Reason (R) are true but Reason (R) is not correct explanation of Assertion (A)
- c) Assertion (A) is true but Reason (R) is false
- d) Assertion (A) is false and Reason (R) is true

Q13. Write two types of Sampling Methods. 1

Q14. Explain the role of an Enumerator in Pilot survey . 1

Q15. Explain the steps in statistical investigation . 3

OR

Explain the meaning of statistics both in singular sense and in plural sense.

Q16. Calculate Mean by Assumed mean method for height of 25 student

Height(in feet)	No. of students
6	4
5.5	7
5	8
4	3
6.5	3

Q17. Mean of 100 observations is found to be 40. At the time of computation two items were wrongly taken as 30 and 27 instead of 3 and 72. Find the correct Mean. 4

Q18. Calculate Airthmetic Mean by Step Deviation Method for the following data 6

Profit (₹)	No. of retail shops
0-10	12
10-20	18
20-30	27
30-40	20
40-50	17
50-60	6

Q19. i) Explain the types of statistical data. 3
ii) Explain the different statistical methods used to calculate data. 3

ST. PBN PUBLIC SCHOOL, GURUGRAM
UNIT TEST - I
CLASS – XI
PHYSICAL EDUCATION
SAMPLE PAPER

Time: 2 Hours

MM: 50

General Instructions:-

- 1. All questions are compulsory.**
- 2. Questions 1-7 carry 1 mark each and are multiple choice questions.**
- 3. Questions 8-10 carry 2 marks each and their answers should not exceed 40-60 words.**
- 4. Questions 11-13 carry 3 marks each and their answers should not exceed 80-100 words.**
- 5. Questions 14-15 carry 4 marks each and their answers should not exceed 120-140 words.**
- 6. Questions 16-19 carry 5 marks each.**

1. In 393 A.D., which emperor banned Olympic games?

- | | |
|----------------|---------------------|
| (a) Augustus | (c) Claudius |
| (b) Theodosius | (d) Marcus Aurelius |

2. The headquarters of Fit India Movement is at

- | | |
|-------------|---------------|
| (a) Chennai | (c) Mumbai |
| (b) Kolkata | (d) New Delhi |

3. Who composed the music for the Olympic Anthem?

- | | |
|--------------------|-----------------|
| (a) Coubertin | (c) Thomas Bach |
| (b) Spiros Samaras | (d) Samaranch |

4. In which year, the Olympic anthem was adopted by IOC?

- | | |
|----------|----------|
| (a) 1928 | (c) 1996 |
| (b) 1958 | (d) 1904 |

5. The ancient Olympic games were initially:

- | | |
|-----------------|-----------------|
| (a) 3 Day event | (c) 1 Day event |
| (b) 2 Day event | (d) 5 Day event |

6. How many components are included in Khelo India Program?

- (a) 10 (c) 8
(b) 12 (d) 15

7. Olympic flame was first introduced in

- (a) 1896 (c) 1956
(b) 1928 (d) 2008

8. Name some technological advancements in Sports.

9. Describe Logo of Fitness India Movement.

10. Explain the concept of Olympism.

11. What do you mean by Sports Journalism?

12. Discuss role of sensors in Improving Sports performance.

13. Discuss the National Olympic committees along with its functions.

14. Write a note on the Health Related Careers in Physical Education.

15. Mention the rules for competitions in Ancient Olympic games.

16. Where were the first khelo India school games held?

17. Elucidate in detail about International Sports Federations.

18. What do you mean by playing surface? What role does it play in Improving performance in Sports.

19. **Case based questions:**

Most students in a school did not think that PE has career opportunities. One day an international cricket star attended the school Annual Day function as chief guest. He spoke about his struggles and how he was transformed by an active career that resulted from taking physical education subject in school seriously. He also talked about starting his own coaching academy. He explained as to how there were a lot of good career options available in PE. This gave students a clear understanding of the various career options available in PE which only aroused their interest in the subject and most of them started taking PE seriously.

- (i). What career opportunities must have the cricketer talked about? (1)
(ii). What are the possibilities for PE in media? (2)
(iii). Besides teaching in a school, what options exist for becoming trainers in PE? (2)

- a) Fixture
- b) Bye
- c) Reward
- d) All of these

St. PBN PUBLIC SCHOOL, GURUGRAM
UNIT TEST- I EXAMINATION
CLASS XI
COMPUTER SCIENCE
(SUBJECT CODE-083)
SAMPLE PAPER

Time: 2 Hours
M.M:50

GENERAL INSTRUCTIONS:

1. This question paper contains five sections, Section A to E.
2. All questions are compulsory.
3. Section A have 12 questions carrying 01 mark each.
4. Section B has 04 Very Short Answer type questions carrying 02 marks each.
5. Section C has 04 Short Answer type questions carrying 03 marks each.
6. Section D has 02 Long Answer type questions carrying 05 marks each.
7. Section E has 02 questions carrying 04 marks each.
8. All programming questions are to be answered using Python Language only.

SECTION- A

Choose the correct option and write in the answer sheet

(1 x 12 = 12)

1. What is the base of octal number system?
 - (a) 2
 - (b) 10
 - (c) 8
 - (d) 16
2. Convert $(75)_8$ into decimal number
 - (a) 611
 - (b) 17
 - (c) 61
 - (d) 32
3. Which of the following are the sub-units that make the CPU?
 - (a) Control Unit
 - (b) ALU
 - (c) Both a & b
 - (d) None of these
4. Storage of 1 KB means the following number of bytes:
 - (a) 2000
 - (b) 1084
 - (c) 1003
 - (d) 1024
5. Identify the correct print() statement:
 - (a) print(Hello)
 - (b) print("Hello")
 - (c) print('Hello')
 - (d) print("Hello')
6. _____ is the act of locating and fixing problems in software code that could lead to unexpected behavior or crashes. These errors are sometimes referred to as "bugs."
 - (a) Algorithm
 - (b) Problem Solving

- (c) Debugging (d) All of these
7. The interactive interpreter of Python is termed as _____.
- (a) Python shell (b) Python script mode
(c) Python Editor mode (d) Python command line
8. Identify the input device among the following choices:
- (a) Touch Screen (b) Speaker
(c) 3D Printer (d) Display Monitor
9. Disk defragmenter is an example of :
- (a) Application software (b) System software
(c) Utility software (d) Language processors
10. _____ is the process of identifying a problem, developing an algorithm for the identified problem and finally implementing the algorithm to develop a computer program.
- (a) Problem Solving (b) Problem Addressing
(c) Problem Analysis (d) None of these

Q11 and 12 are ASSERTION AND REASONING based questions. Mark the correct choice as

- a) Both A and R are true and R is the correct explanation for A
b) Both A and R are true and R is not the correct explanation for A
c) A is True but R is False
d) A is false but R is True
11. **Assertion (A):** Flowchart is the pictorial representation of a task.
Reason (R): Flowchart is used to represent how a program works.
12. **Assertion (A):** Memory unit is used as a storage unit for program as well as data.
Reason (R): Computer Memory cannot be directly accessed by the CPU.

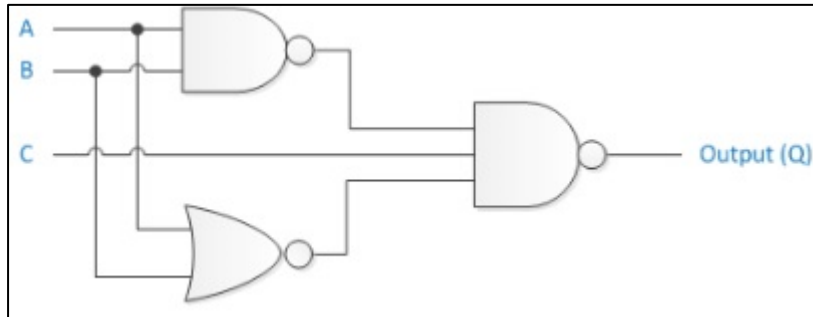
SECTION B

(2x 4 = 8)

13. Identify the category of the following software
- (i) Compiler

- (ii) Assembler
 - (iii) Ubuntu
 - (iv) Text Editor
- (2)

14. Obtain the Boolean expression for the logic circuit shown below and also write its truth table:



(2)

15. (i) Find the dual of the following expressions :

- $A \cdot B + A \cdot C$
- $xy' + x'z$

(ii) Verify with the help of truth table that $(A+B)' = A' \cdot B'$

(1+1)

16. (i) Convert $(705)_8$ to binary number
(ii) Convert $(3A5)_{16}$ to decimal number

OR

Draw a logic circuit of $P = A + B \cdot C' + A' \cdot C'$

(2)

SECTION C

(3x 4 = 12)

17. (i) Name the software required to make a computer functional. Write down its two primary services.

(ii) What is the need of secondary memory? (1+2)

18. Write a pseudo-code to calculate and display Area and Perimeter of a rectangle

OR

Write pseudocode that read two numbers and divide one by another and display the quotient. (3)

19. Convert the following :

(i) $(889)_{10} = (?)_8$

(ii) $(220)_8 = (?)_2$

(iii) $(789)_{10} = (?)_{16}$ (1+1+1)

20. Why is primary memory termed as 'destructive write' memory but 'non-destructive read' memory?

OR

Differentiate between System software and Application software. (3)

SECTION D

(5x 2 = 10)

21. Railway Booking and Lodging is a travel agency that books railway tickets for its customers. They ask the user to furnish all the details about the date of journey, destination, preferred time of journey and other required relevant details. They need to computerize all their processing and working methodology.

You being a software analyst, develop a solution by decomposing the entire problem and design a suitable railway ticket reservation system using concept of decomposition. (5)

22. (i) Write an algorithm to find the greatest among two different numbers entered by the user.

(ii) Suppose you are collecting money for something. You need ₹ 200 in all. You ask your parents, uncles and aunts as well as grandparents. Different people may give either ₹ 10, ₹ 20 or even ₹ 50. You will collect the total becomes 200. Write the algorithm. (2+3)

OR

(i) Write down the type of memory needed to do the following:

- a) To store data permanently.
- b) To store the instructions which cannot be overwritten.
- c) To execute the program.

(ii) Explain briefly the functions of Operating System. (3+2)

SECTION E

(4 x 2 = 8)

23. A computer is programmable machine. The two principal characteristics of a computer are: It responds to a specific set of instructions in a well-defined manner, and it can execute a pre-recorded list of instructions (a program). Modern computers are electronic and digital. The actual machinery wires, transistors and circuits are called hardware, the instructions and data are called software.

(i) Which of the following is the correct definition of Computer?

(a) Computer is a machine or device that can be programmed to perform arithmetical or logic operation sequences automatically.

(b) Computer understands only binary language which is written in 0s & 1s.

(c) Computer is a programmable electronic device that stores, retrieves and processes the data.

(d) All of these

(ii) Which of the following is the brain of the computer?

(a) Central Processing Unit

(b) Memory

(c) Arithmetic and Logic Unit

(d) Control Unit

(iii) Which of the following is not a characteristics of a computer?

(a) Versatility

(b) Accuracy

(c) Diligence

(d) I.Q.

(iv) Which of the following is designed to control the operations of a computer?

(a) User

(b) Application software

(c) System software

(d) Utility software

(1+1+1+1)

24.

(i) Draw a circuit diagram corresponding to the Boolean expression

$$(A + B)(B + C)$$

(ii) What will be the output of given Boolean expression $D = N(P + C)$, where

$$N=1, P=0 \text{ \& } C=1$$

(iii) Write the truth table of $(X'+Y).Z + W'$

(iv) Draw a circuit diagram corresponding to the Boolean expression

$$Y = (BC + A)(A' + C)$$

(1+1+1+1)